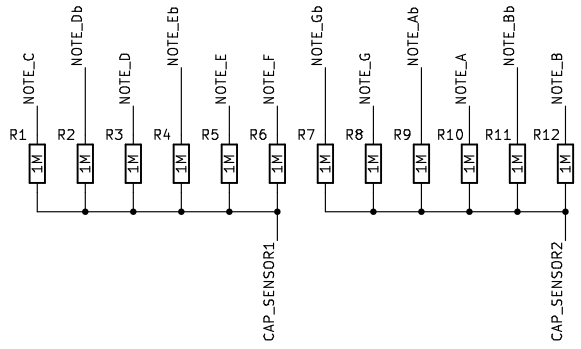
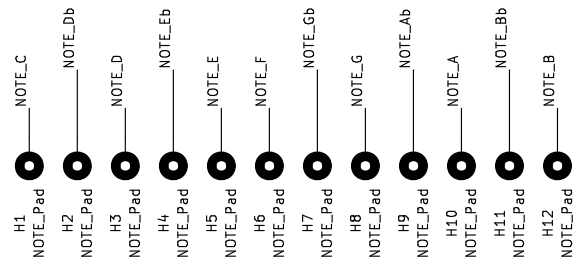


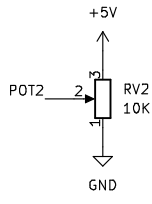
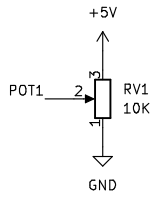
a



c

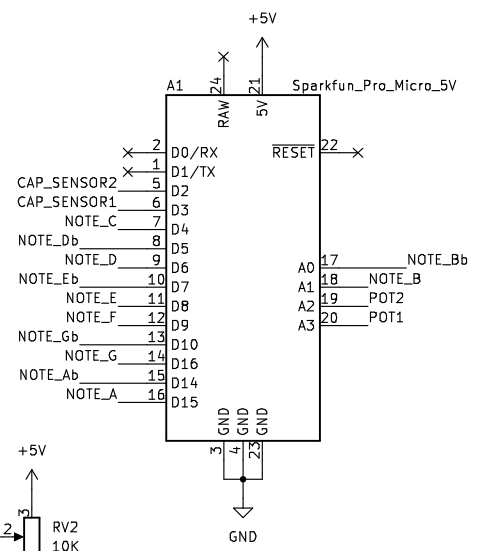


d



e

f



b

c

d

e

f

Project: **Touch MIDI Keyboard (C1)**

Phase: Prototype

Designed by: **vec2pt**

Revision: v1.00

Date: 20231228

Number: 1/1

Format: A4